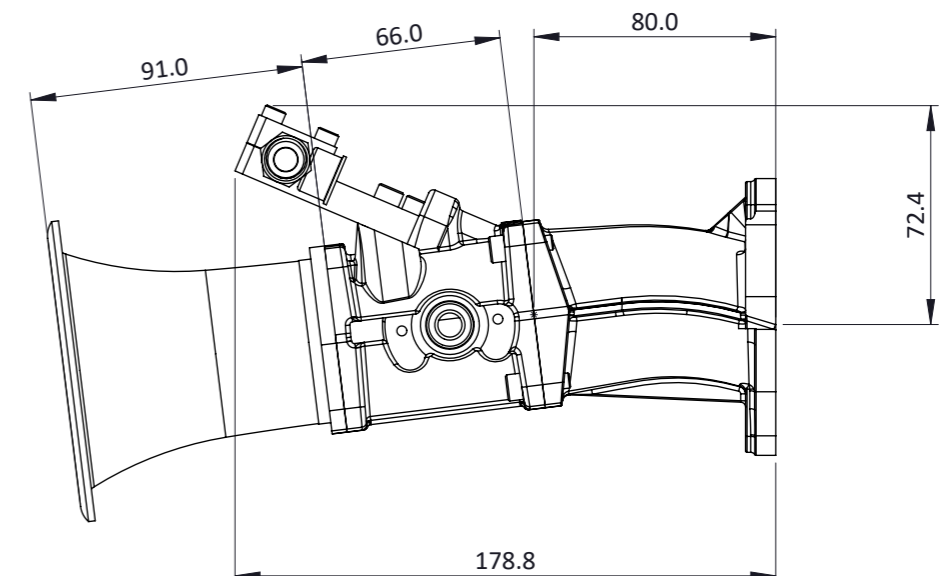
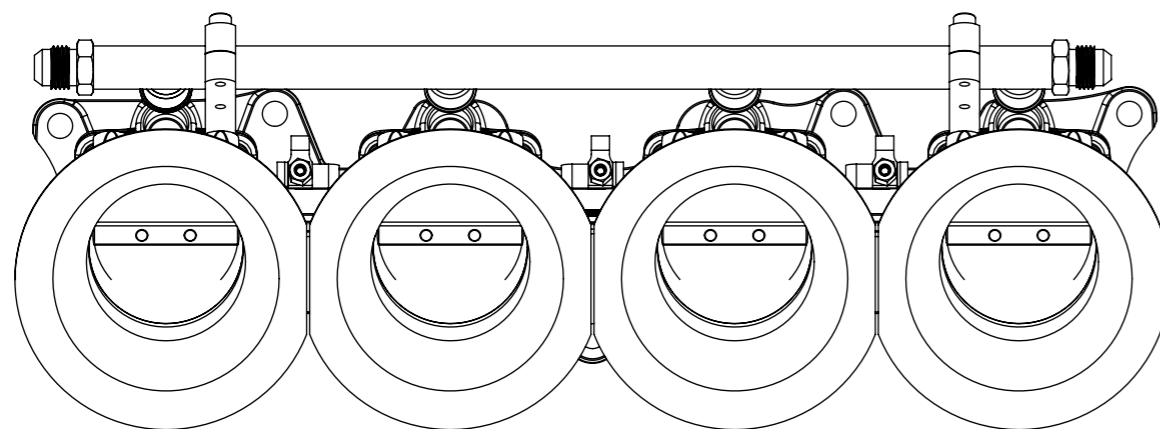
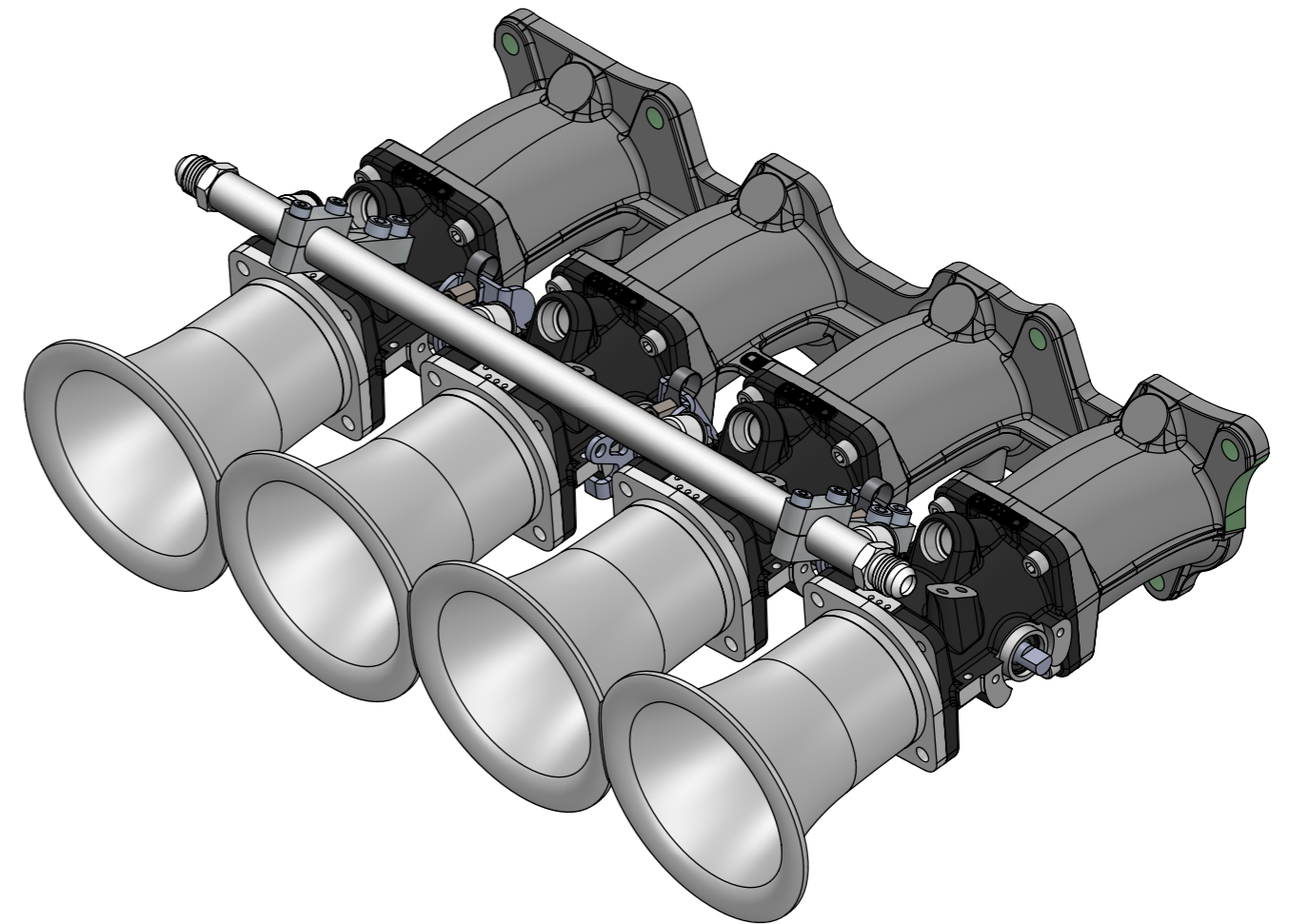
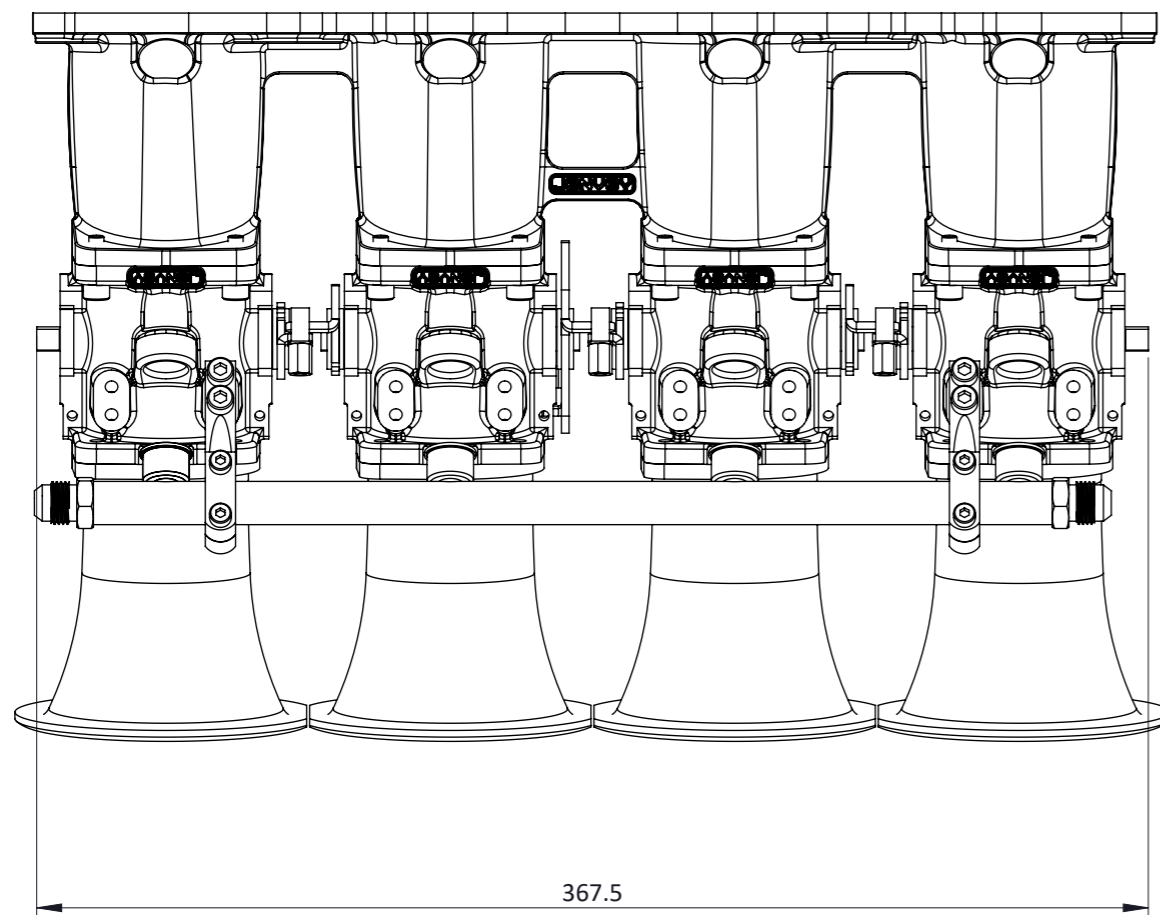


CKHA11 WEB - HONDA K20 EP3 CURVED - SF50 KIT



Engineered to win



A KIT FOR THE HONDA K20 EP3 ENGINE WHICH CONTAINS A 7 DEG CURVED INLET MANIFOLD, FOUR 50mm THROTTLE BODIES WITH 51mm INLET, LEVERS, FUEL RAIL AND FOUR TAPERED AIRHORNS.

STANDARD HONDA INJECTORS WILL NOT FIT.

WATER PUMP HOUSING MODIFICATION REQUIRED.

THIS ENGINE IS USED IN THE CIVIC TYPE R.

Frame: 1 of 1

Version: 1

Tel 01746 768810

© JENVEY DYNAMICS LTD. 2021

Web WWW.JENVEY.CO.UK

